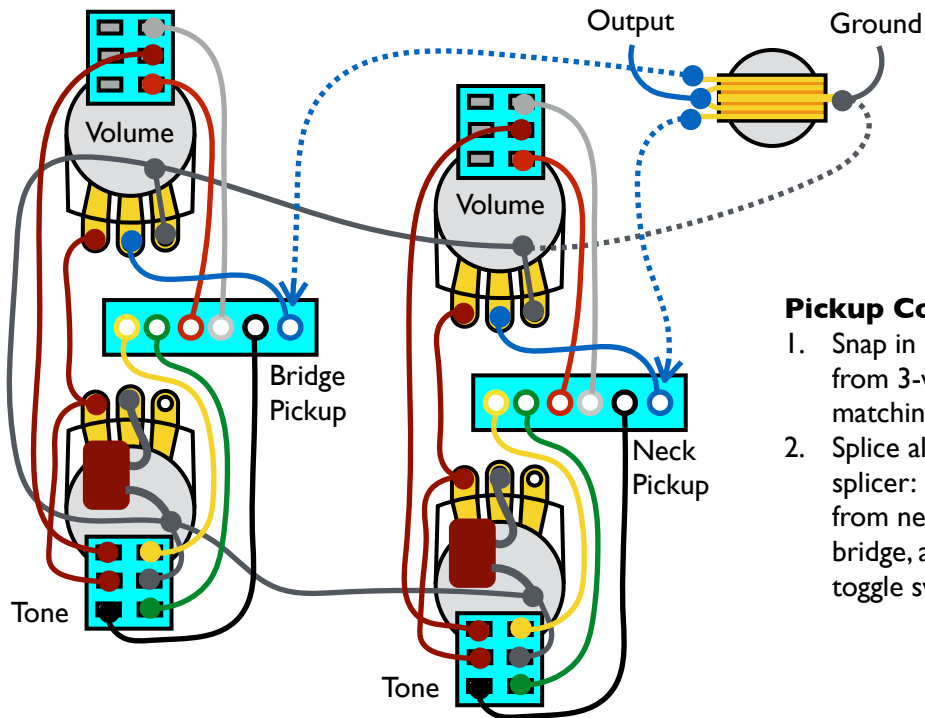


SET-SET, 2-volume and 2-tone with 3-way switch and 4 push-pull's - Prewired Kit wiring



Vol. push-push	Tone push-push	
	Down	Up
Down	HB	SE
Up	HB	SET

Pickup Connection

1. Snap in pickup lead wires and signal wires from 3-way toggle switch into terminals with matching colors (signal wire = blue).
2. Splice all ground wires using enclosed 3-port splicer: 1) pickup shield wires, 2) free wire from neck volume pot + ground wire from bridge, and 3) ground/shield wire from 3-way toggle switch/output jack.

Pot.: A500k
Cap.: 0.022 μ F or 0.047 μ F