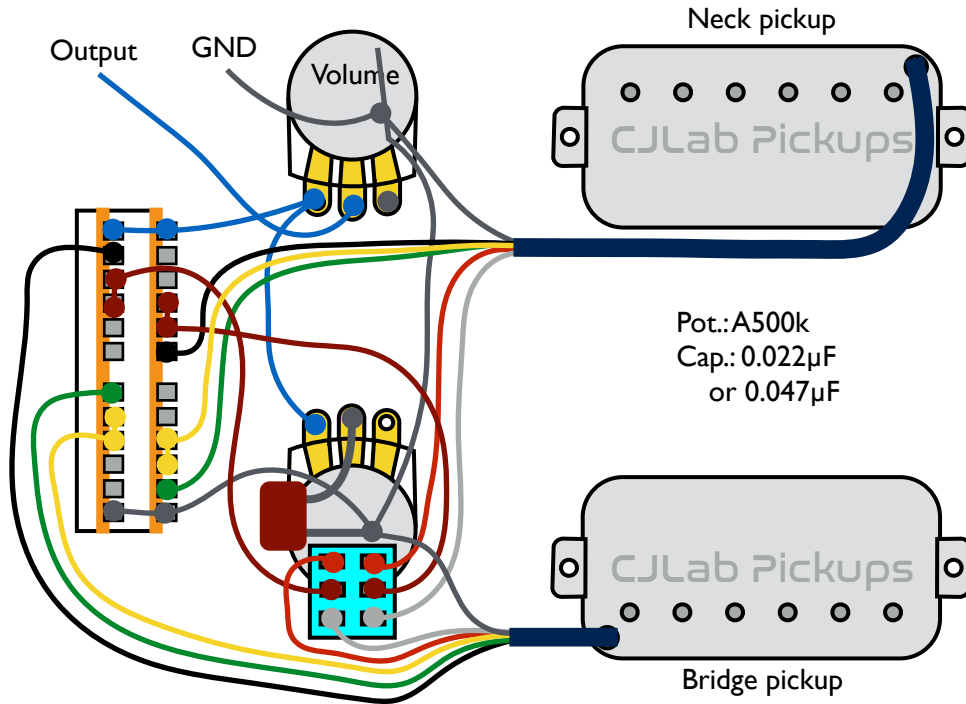


SET-SET, 1-volume and 1-tone with 5-way super switch and push-pull - for Fender Thinline Telecaster



5-Way	PSPL up
Pos. 1	Neck HB
Pos. 2	Neck SET
Pos. 3	N/B SET
Pos. 4	Bridge SET
Pos. 5	Bridge HB
5-Way	PSPL dn
Pos. 1	Neck HB
Pos. 2	Neck SE
Pos. 3	N/B SE
Pos. 4	Bridge SE
Pos. 5	Bridge HB