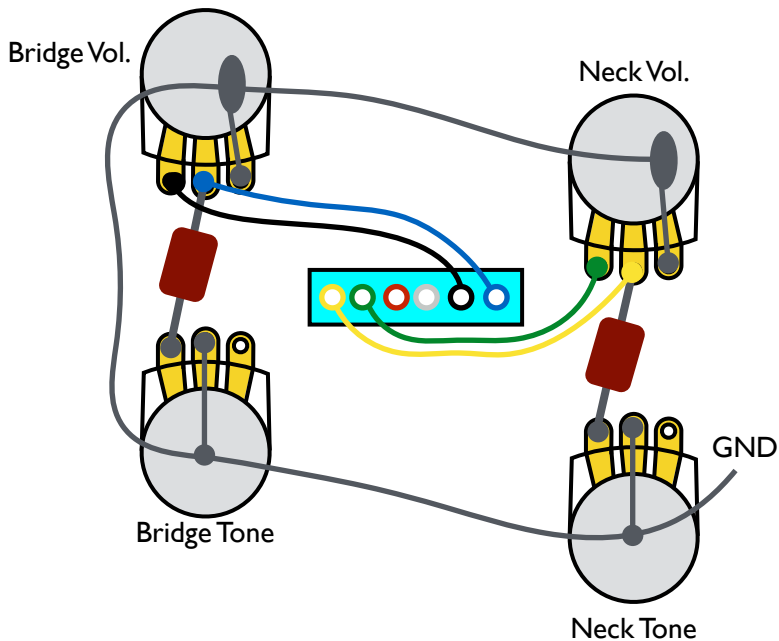


Vintage Series Hum-Hum, 2-volume and 2-tone with 3-way switch (50's Style) - Prewired Kit



Yellow: neck signal from switch
Green: neck pickup hot
Black: bridge pickup hot
Blue: bridge signal from switch

Use 3-port splicer for ground wires
or solder them together.

Pot.: A500k

Cap.: 0.022 μ F or 0.047 μ F