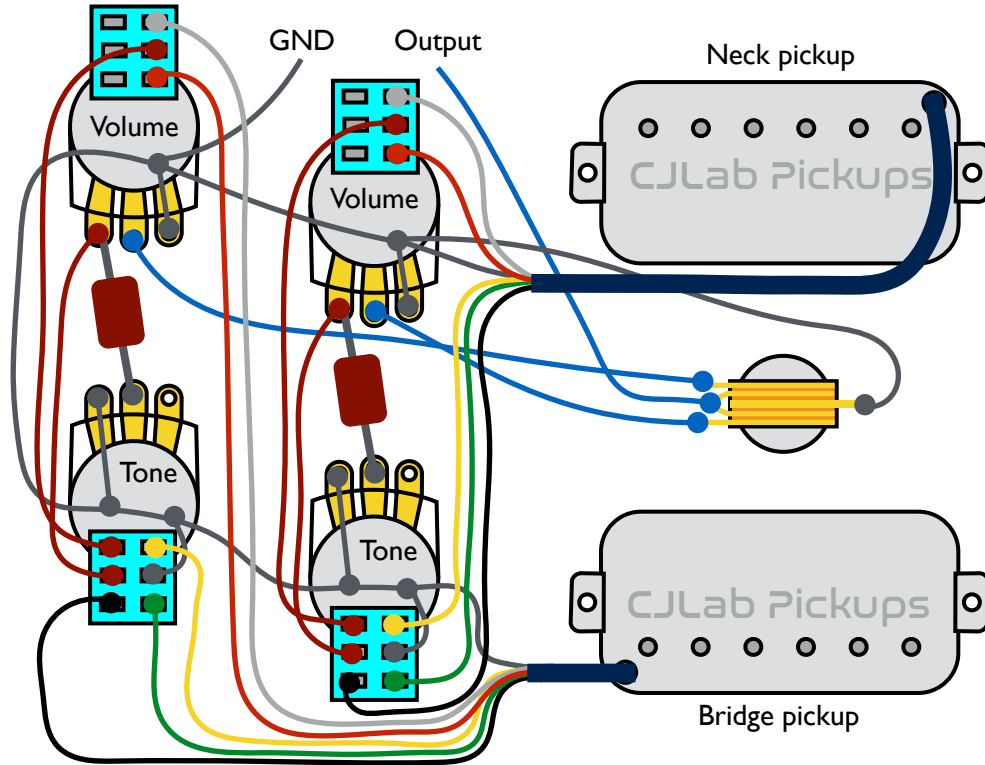


SET-SET, 2-volume and 2-tone with 3-way switch and 4 push-pull's



Vol. push-push	Tone push-push	
	Down	Up
Down	HB	SE
Up	HB	SET

Pot.: A500k
Cap.: 0.022 μ F or 0.047 μ F